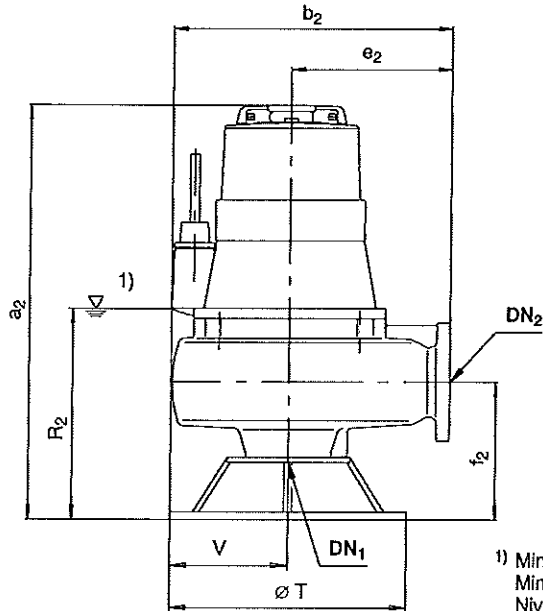


Maßtabelle / Dimension table / Tableau de dimensions

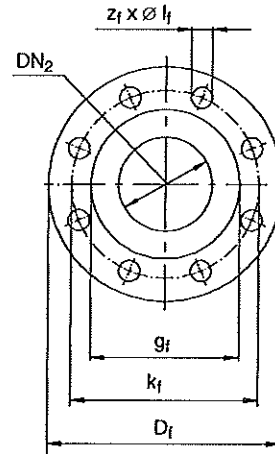
Transportable Aufstellung / Transportable installation / Installation transportable

Baugröße / Size / Taille : **KRT 40-250; 80-250; 80-315; 100-240; 100-250**

Werkstoffausführung / Material variant / Exécution matériaux : **G, G1, G2, GH, H, C1, C2**



1) Mindestwasserstand
Min. water level
Niveau d'eau mini.



DIN EN 1092-2, PN 16

| DN ₂ | g _f | k _f | D _f | z ₁ | Øl ₁ |
|-----------------|----------------|----------------|----------------|----------------|-----------------|
| 40 | 88 | 110 | 150 | 4 | 18 |
| 80 | 138 | 160 | 200 | 8 | 18 |
| 100 | 158 | 180 | 220 | 8 | 18 |

| | Hydraulik Hydraulics Hydraulique | Motor Motor Moteur | DN ₁ | DN ₂ | a ₂ | b ₂ | e ₂ | f ₂ | R ₂ | ØT | V | Gewicht / Weight / Poids [kg] | |
|-------------|--|--------------------------|-----------------|-----------------|----------------|----------------|----------------|----------------|----------------|-----|-----|-------------------------------------|-----------|
| | | | | | | | | | | | | G | H, C1, C2 |
| S F K | 40-250 | 5 2 | 65* | 40 | 685 | 445 | 225 | 240 | 300 | 400 | 200 | 125 | 167 |
| | | 6 2 | | | | | | | | | | 133 | 175 |
| | | 8 2 | | | | | | | | | | 142 | 184 |
| | | 12 2 | | | | | | | | | | 157 | 204 |
| | | 17 2 | | | | | | | | | | 168 | 215 |
| | | 5 4 | | | | | | | | | | 136 | 178 |
| | | 7 4 | | | | | | | | | | 150 | 192 |
| F E | 80-250 | 5 4 | 100 | 80 | 717 | 475 | 255 | 225 | 325 | 400 | 200 | 136 | -- |
| | | 7 4 | | | | | | | | | | 150 | -- |
| | | 11 4 | | | | | | | | | | 165 | -- |
| | | 16 4 | | | | | | | | | | 175 | -- |
| F E K | 80-315 | 5 2 | 80 | 80 | 715 | 470 | 250 | 220 | 320 | 400 | 200 | 134 | 210 |
| | | 6 2 | | | | | | | | | | 142 | 218 |
| | | 8 2 | | | | | | | | | | 151 | 227 |
| | | 12 2 | | | | | | | | | | 166 | 242 |
| | | 17 2 | | | | | | | | | | 177 | 253 |
| | | 23 2 | | | | | | | | | | 254 | 300 |
| F | 100-240 | 11 4 | 100 | 100 | 755 | 475 | 255 | 255 | 380 | 400 | 200 | 165 | 225 |
| | | 16 4 | | | | | | | | | | 175 | 235 |
| F E K | 100-250 | 5 4 | 100 | 100 | 725 | 475 | 255 | 255 | 380 | 400 | 200 | 141 | 205 |
| | | 7 4 | | | | | | | | | | 155 | 219 |
| | | 11 4 | | | | | | | | | | 170 | 234 |
| | | 16 4 | | | | | | | | | | 180 | 244 |

* bei / only / pour KRT K 40-250
0W 382 528